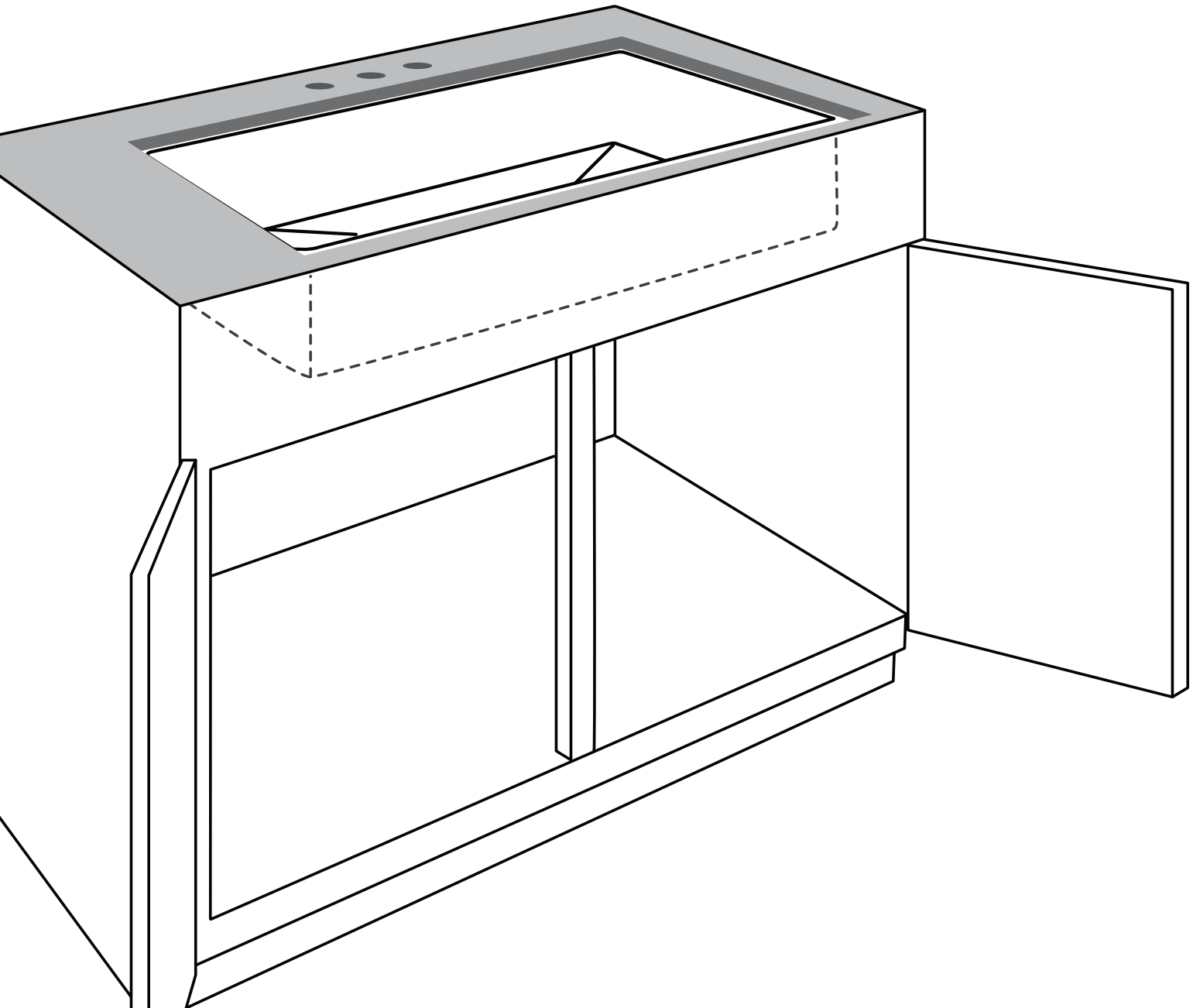


SOLEIL

COLLECTION

**INSTALLATION INSTRUCTIONS
DUAL MOUNT STAINLESS STEEL KITCHEN SINK**





CAUTION:

Risk of personal injury or product damage. Handle with care.
Product can break, chip, cause injury or product damage.

WARNING:

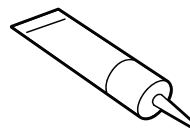
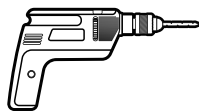
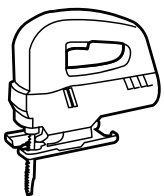
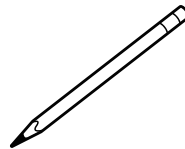
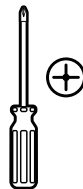
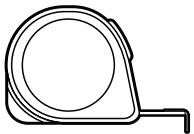
This product can expose you to chemicals, including lead, which is known to the state of California to cause cancer and birth defects or other reproductive harm.

For more information go to p65warnings.ca.gov

IMPORTANT INFORMATION

- Read these instructions carefully before you begin this installation.
- Observe all applicable local plumbing and building codes.
- Soleil Sinks recommends all sinks are installed by experienced and professional installers. To ensure safety and damage-free installation, this sink should be installed by two people. Soleil Sinks reserves the right to revise the design of products without notice.

RECOMMENDED TOOLS



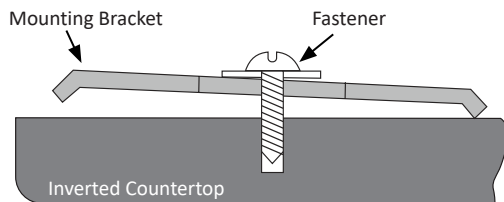
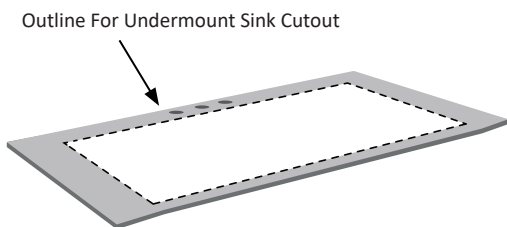
- | | |
|--|---|
| <input type="checkbox"/> Tape Measure | <input type="checkbox"/> Shims or Cabinet Fillers |
| <input type="checkbox"/> Safety Glasses | <input type="checkbox"/> Denatured Alcohol |
| <input type="checkbox"/> Painter's Tape | <input type="checkbox"/> Clamps |
| <input type="checkbox"/> Level | <input type="checkbox"/> Construction Adhesive |
| <input type="checkbox"/> Ear Protection | <input type="checkbox"/> Silicone Adhesive Sealant |
| <input type="checkbox"/> Hacksaw/Jigsaw | <input type="checkbox"/> Support Framing Material (1 ¼" (32mm) Max Thickness) |
| <input type="checkbox"/> Pencil (Not permanent marker) | <input type="checkbox"/> Screws (recommended by countertop manufacturer) |

STAINLESS STEEL SINK UNDERMOUNT INSTALLATION INSTRUCTIONS

BEFORE YOU BEGIN

- Soleil Sinks recommends that all undermount sinks be installed by an experienced, professional installer.
- **IMPORTANT:** The enclosed cutout template will create a countertop opening with a minimal (1/8" or less) reveal. It is recommended that you discuss with your installer and agree that the finished appearance is the desired effect. Soleil Sinks is not responsible for improper sink or countertop installations.
- **IMPORTANT:** The cabinet must be installed, secured, plumb, and level. Failure of this step can lead to product damage.
- Soleil Sinks undermount sinks should only be fastened to a solid surface countertop (i.e. granite, Corian® or Silestone®).
- Soleil Sinks is not responsible for sink or countertop if damaged during installation. Be sure to inspect the sink for damage prior to beginning installation.
- Metal edges may be sharp – use caution when handling.
- Follow all local plumbing and building codes.

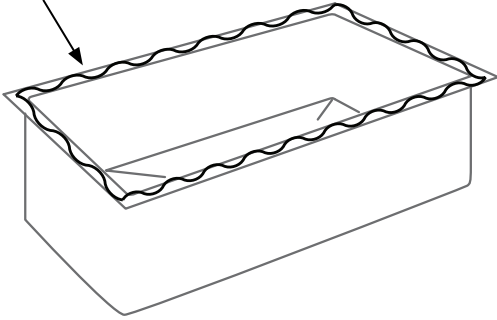
STEP1: COUNTERTOP PREPARATION



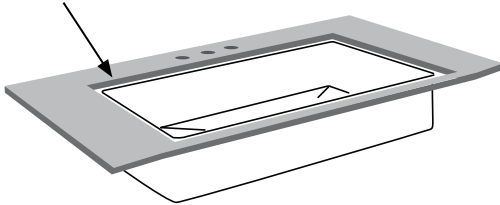
- Position the template (provided with your sink) front to rear so the sink will not interfere with the cabinet; secure with tape.
- Trace the template and remove. Dry fit the sink to verify the measurements.
- Following the countertop manufacturer's instructions, carefully cut the countertop on the inside of the traced line.
- Locate and drill the mounting holes, following the countertop manufacturer's instructions. Holes should allow even spacing of mounting brackets around the sink.
- With the countertop inverted (upside down), fasten the mounting brackets to the countertop loosely.
- **IMPORTANT:** The cabinet must be installed, secured, plumb, and level **BEFORE** installing the sink.
- **IMPORTANT:** Soleil Sinks undermount sinks should only be fastened to a solid surface countertop (i.e. granite, Corian® or Silestone®).

STEP2: COUNTERTOP INSTALLATION

Apply Silicone Sealant After Cleaning The Sink Edge And Countertop



Verify Sink Is Centered Within The Countertop Opening Before Tightening Fasteners.



- Clean the bottom of the countertop and the top flange (or lip) of the sink with denatured alcohol.
- Apply a narrow bead of silicone adhesive sealant evenly all around the top of the sink flanges.
- Position and align the sink over the countertop opening. Press silicone onto countertop.
- Tighten fasteners until mounting brackets are snug against sink. Check alignment of sink to the countertop opening.
- Tighten down fasteners evenly. Be careful not to over-tighten.
- Immediately remove excess sealant.
- **IMPORTANT:** The enclosed cutout template will create a countertop opening with a minimal (1/8" or less) reveal. It is recommended that you discuss this with your installer and agree that this finished appearance is the desired effect. Soleil Sinks is not responsible for improper sink or countertop installations.
- **IMPORTANT:** Soleil Sinks is not responsible for sink or countertop if damaged during installation. Be sure to inspect the sink for damage prior to beginning installation.

FINAL STEP

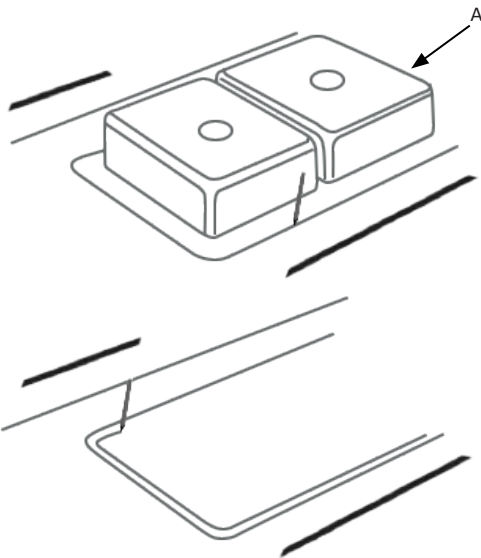
- Following all local plumbing and building codes, install the faucet according to the manufacturer's instructions.
- Connect the drain and piping.
- Run water into the sink and check all connections for leaks.

STAINLESS STEEL SINK TOP MOUNT INSTALLATION INSTRUCTIONS

BEFORE YOU BEGIN

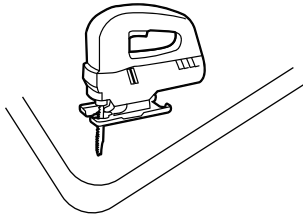
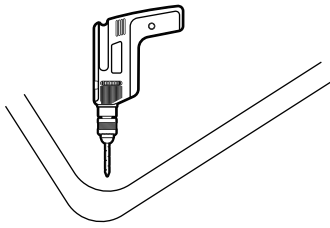
- Soleil Sinks recommends that all top mount sinks be installed by an experienced, professional installer.
- **IMPORTANT:** *The cabinet must be installed, secured, plumb, and level. Failure of this step can lead to product damage.*
- Soleil Sinks top mount sinks should only be fastened to a solid surface countertop (i.e. granite, Corian® or Silestone®).
- Soleil Sinks is not responsible for sink or countertop if damaged during installation. Be sure to inspect the sink for damage prior to beginning installation.
- Metal edges may be sharp – use caution when handling.
- Follow all local plumbing and building codes.

STEP 1: COUNTERTOP PREPARATION



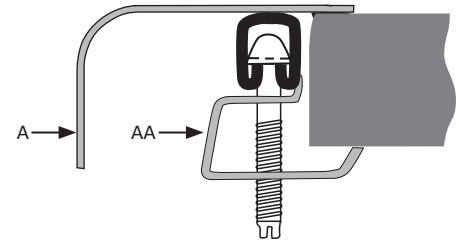
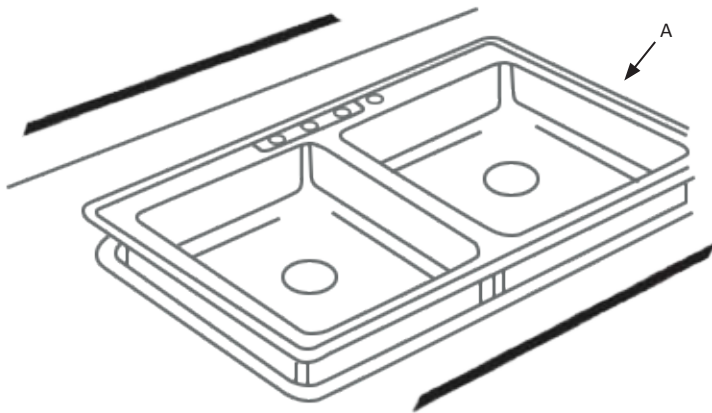
- Position the sink (A) upside down on the countertop.
- Trace completely around the edge of the sink (A).
- Draw a line 5/16" inside of the outline of the sink.

STEP2: CUTTING THE COUNTER



- Drill a pilot hole in all four corners of the inside line.
- Use a saber saw or jig saw to cut on the inside line.
- Place a support underneath the cutout portion of the countertop to prevent it from falling during cutting.
- **IMPORTANT:** Always wear safety goggles and gloves when using power tools to prevent personal injury.

STEP3: SINK INSTALLATION



- Apply silicone sealant (not included) around the cutout on the countertop surface.
- Carefully lower the sink (A) into the cutout in the countertop.
- Preassemble the clamps and screws (AA).
- From the underside - place the clamp (AA) in the center along each side and hand tighten to hold sink in place. Fasten the remaining clamps (AA) along the edges and space them approximately 3 in. from each end, and equally along the front, back and sides. For countertops thicker than 3/4 in., space them up to 1-1/2 in. apart.
- From the top - check the seal between the sink (A) edge and countertop. Adjust clamps (AA) if necessary.
- Lightly tighten clamps (AA) evenly with a screw driver until the sink is perfectly tight to the countertop. Do not over tighten.
- Wipe away any excess sealant with a rag.